



OUK-02-1 (OK-BETA PLUS)

UNIVERSAL OPERATING TABLE



OUK-02-1 (OK BETA PLUS)



Universal operating table

OUK-02-1 (OK-BETA PLUS) is an electrohydraulic operating table with an additional backup hydraulic drive.

This table model meets the requirements of modern surgery and is an ideal solution for a high-level operating room. The use of additional accessories produced by the manufacturer makes it possible to expand table functionality.

A well-thought-out design solution for the double drive system of OUK-02-1 (OK-BETA PLUS) operating table ensures high reliability and uninterrupted operation of the surgical team in case of an emergency (power failure or insufficient battery charge).

The low position of the table provides the necessary access and comfortable conditions for the work of the surgical team during complex multi-hour operations that require low patient positioning.

Table top is adjusted with the help of the remote control. There is an additional remote control on the column, duplicating the main movements.

Table top of OUK-02-1 (OK-BETA PLUS) has a dorsal section bending, which is controlled mechanically using a crank handle.

Built-in castors make it possible to move the table freely inside the operating room.

Features:

- All open metal surfaces and additional accessories are made of stainless steel
- Table base and column are protected by stainless steel covers
- Molded protective cover of the adjustment mechanism
- Using seamless technology, molded removable mattresses made from integral polyurethane foam with an antistatic effect, and an innovative antimicrobial treatment (Ultra Fresh)
- Split, removable leg sections with rotation and tilt drive
- Head section with two tilts
- 6 section table top
- Longitudinal shift up to 320 mm
- X-ray translucent table top
- C-Arm compatible
- Input of the X-ray film cassette from head eg sections
- Can be used with wide range of additional accessories



OUK-02-1 (OK BETA PLUS)

Universal operating table



Specifications



Safe working load of the table (including additional accessories), kg	
– no restrictions on table functions	250
– with restricted table functions*	350
Table height (without pads):	
in the lowest position, mm, max	630
in the highest position, min	1080
Table top length, mm, min	2100±50
Table top width, mm, min	500±5
Table width (including rails), mm, min	550±5,5
Rail section for mounting removable accessories, mm	25x10
Number of table sections, pcs, min	6
Lift, longitudinal tilt, lateral tilt, dorsal section drive	electro-hydraulic/ mechano-hydraulic
Head and leg section drive	gas springs
Trendelenburg tilt of the table top	30 ± 2°
Reverse Trendelenburg tilt of the table top	30 ± 2°
Table top lateral tilt:	
right	20 ± 2°
left	20 ± 2°
Head section tilt, minimum:	
up	30°
down	35°
Dorsal section tilts, minimum:	
up	75°
down	45°
Leg section tilt, minimum:	
down (with top height 880 mm (without pads))	90°
up	30°

OUK-02-1 (OK BETA PLUS)

Universal operating table



Specifications

Maximum head section extension, mm, minimum	50
Head and leg sections of the table top	interchangeable
Table top longitudinal shift, mm, minimum	320
Pad lift at dorsal section bend, mm, minimum	105
Renal roller lifting height (optional), mm, minimum	140
Table weight with pads (without a set of accessories), kg, max	300
Voltage from built-in rechargeable batteries	3×12 V
Battery charging time	5–6 hours
Mains battery charging	230V, 50HZ
Power consumption of the table, W, maximum	750

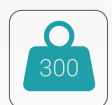
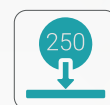
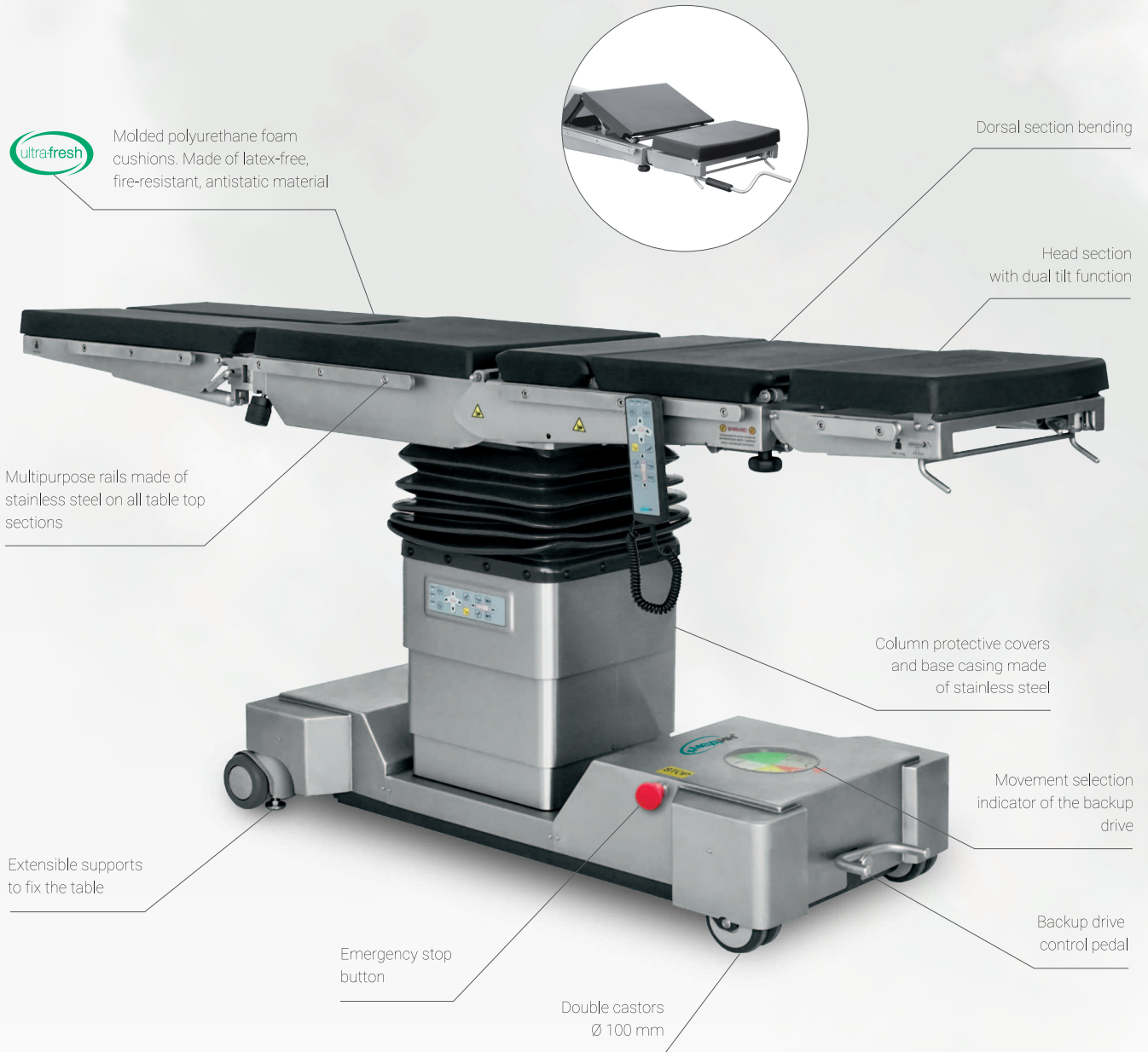


OUK-02-1 (OK BETA PLUS)

Universal operating table



- Electrohydraulic table with backup mechano-hydraulic drive
- Programmable table top positions



Used with the following KPP sets:

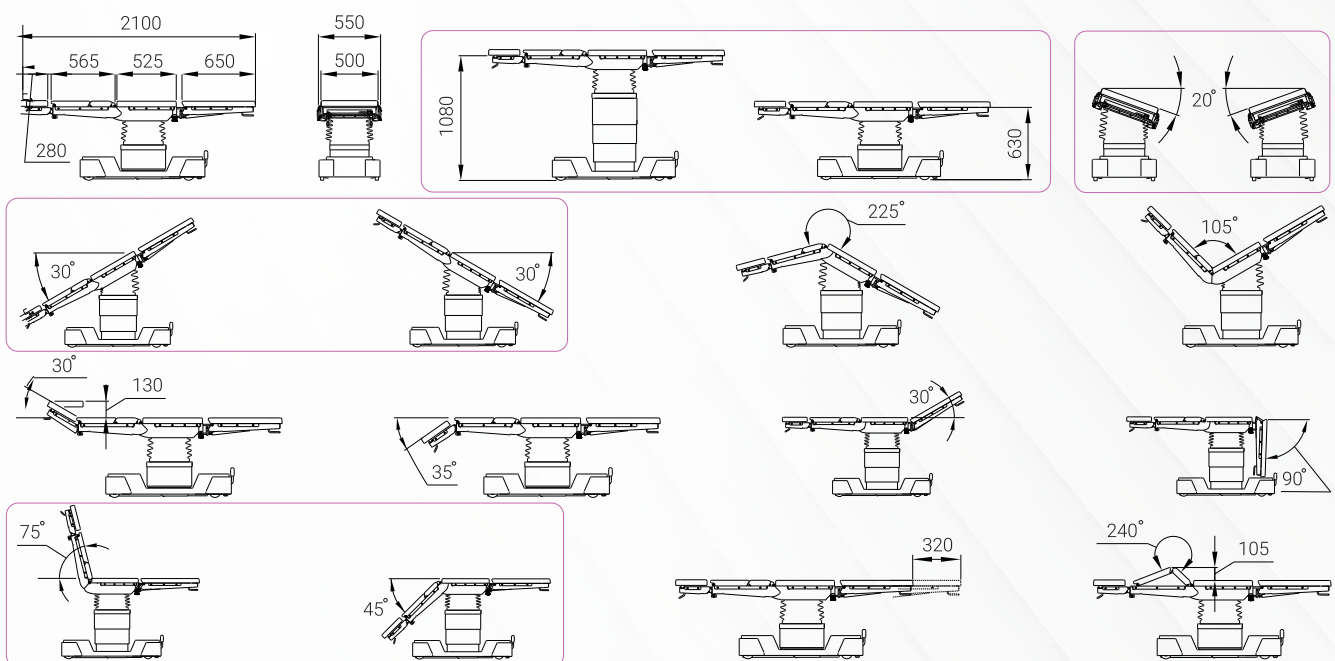


OUK-02-1 (OK BETA PLUS)

Universal operating table



Functions	OK-BETA PLUS
Table top height	
Table top lateral tilts	
Table top longitudinal tilts	
Table top zero position	
Table top longitudinal shift	
Dorsal section tilts	
Head section tilts	
Leg section tilts	
Dorsal section bending	
Extensible support shift	



Additional accessories (optional)



Wireless remote control



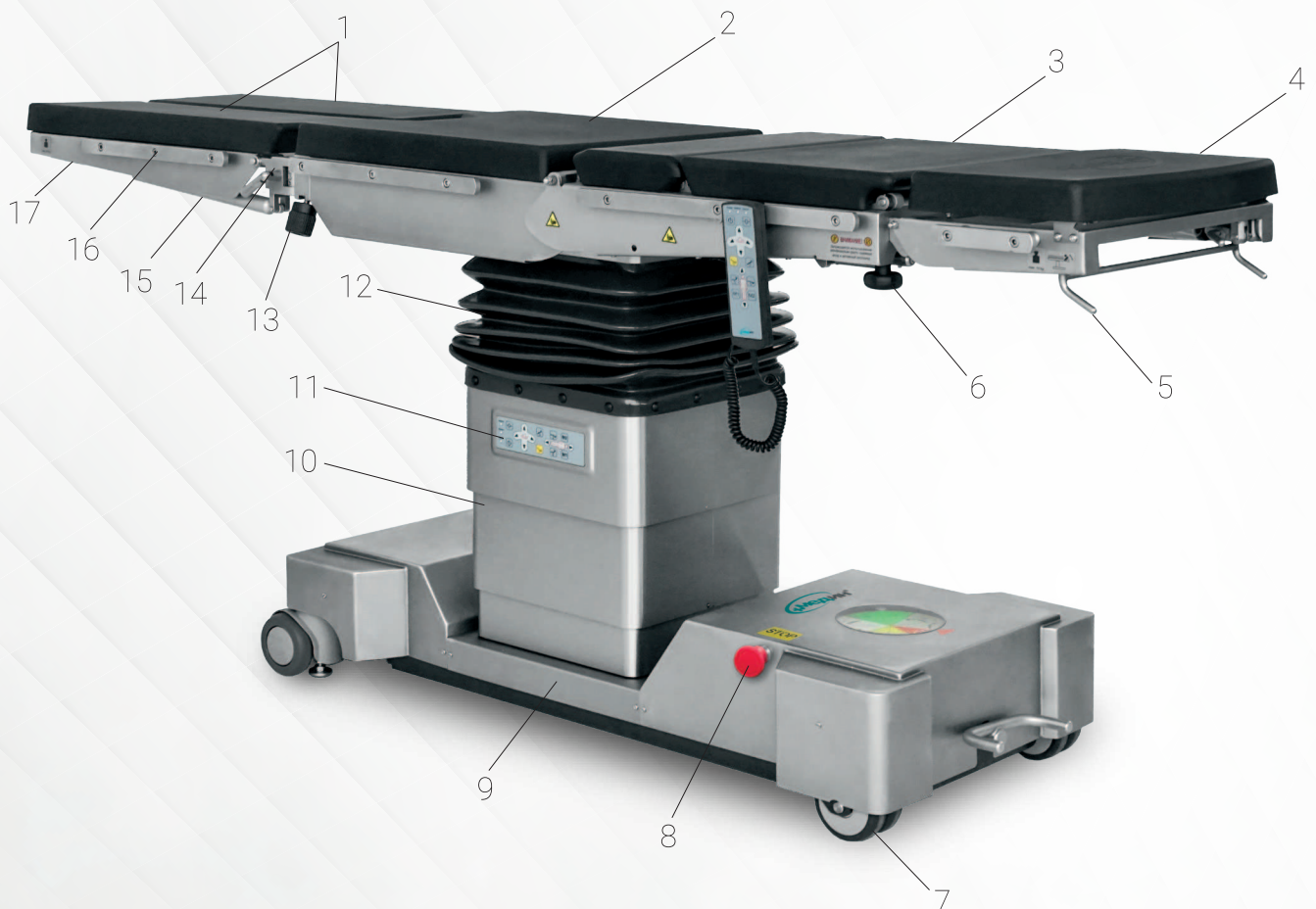
Pedal control unit

OUK-02-1 (OK BETA PLUS)

Universal operating table



Product Components and Units

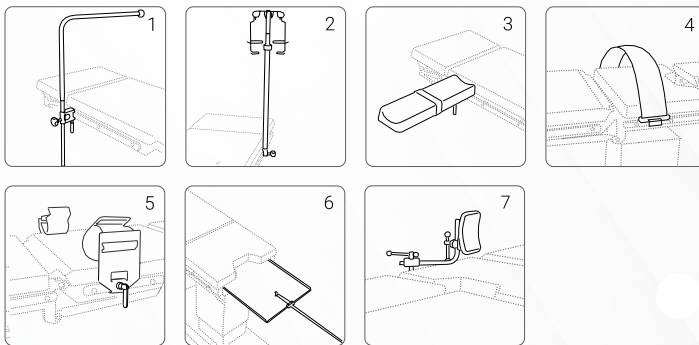
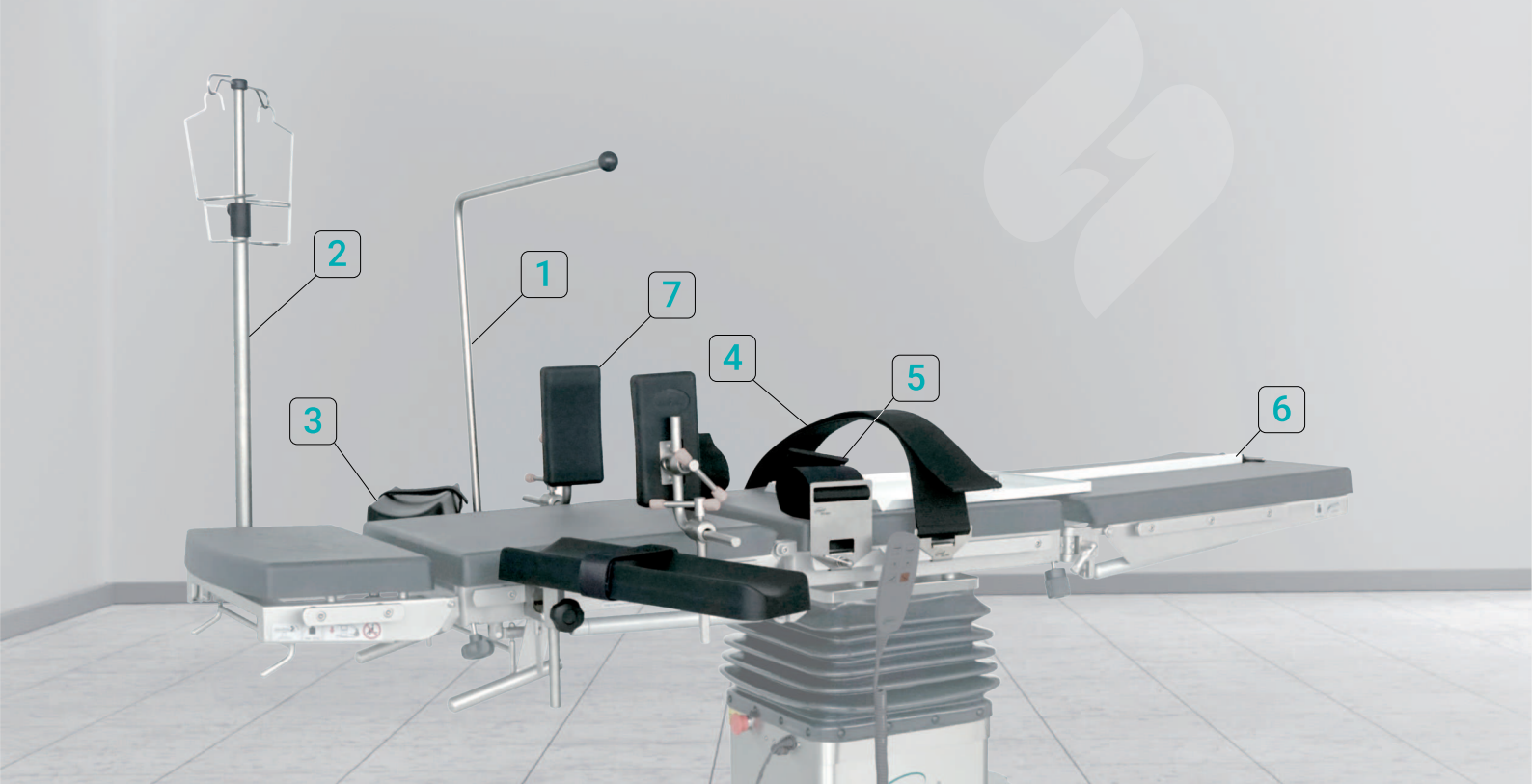


- 1 – Leg sections, 2 – Hip section; 3 – Dorsal section; 4 – Head section;
5 – Head section tilt handle; 6 – Head section lock; 7 – Rigid casters;
8 – Table emergency stop button; 9 – Base frame; 10 – Guide column;
11 – Stationary control panel; 12 – Hand control panel; 13 – Leg section lock;
14 – Leg section hinge clamp; 15 – Gas spring;
16 – Side guides for accessory installation; 17 – Leg section tilt handle.



KPP-01

Set of additional accessories for general surgery



KPP-01 set includes the following:

- | | |
|-----------------------------------------|--------|
| 1. Anesthetic screen | 1 pc. |
| 2. Medical stand for infusions (SHDV-5) | 1 pc. |
| 3. Injection plate | 2 pcs. |
| 4. Patient restraint strap | 1 pc. |
| 5. Hand strap | 2 pcs. |
| 6. X-ray cassette holder | 1 pc. |
| 7. Lateral support | 2 pcs. |