

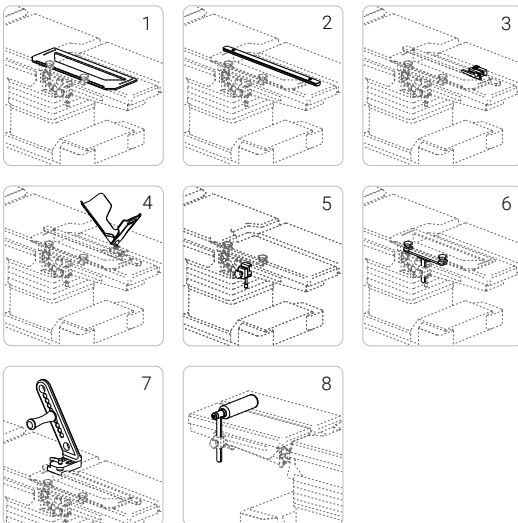
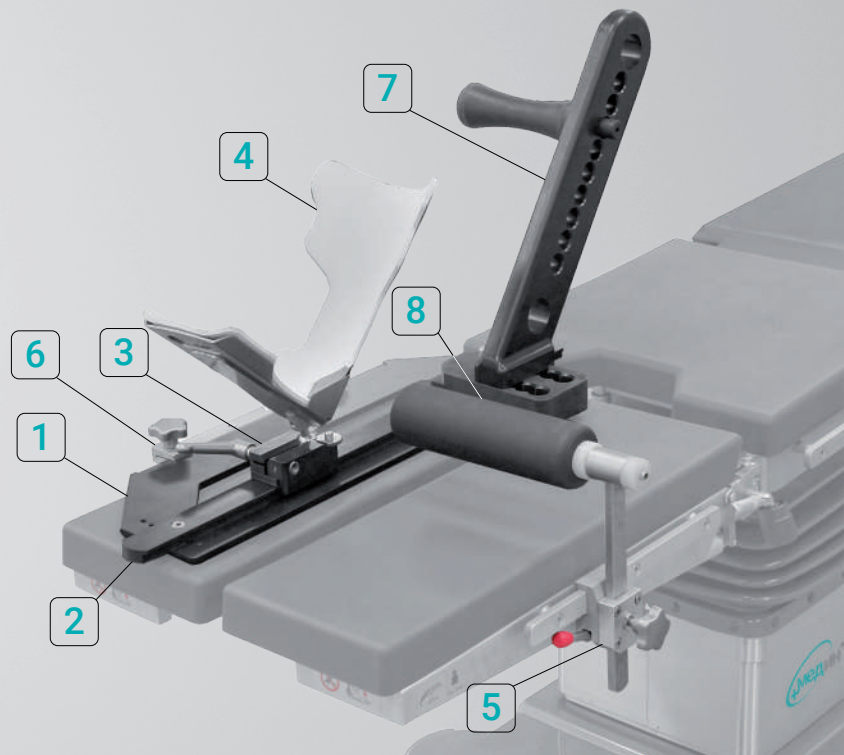


KPP-36

SET OF ACCESSORIES FOR SURGERIES ON KNEE JOINT



LEARN MORE



KPP-36 set includes the following:

- | | |
|-------------------|--------|
| 1. Base plate | 1 pc. |
| 2. Guide rail | 1 pc. |
| 3. Sliding member | 1 pc. |
| 4. Splint | 1 pc. |
| 5. Clamp | 2 pcs. |
| 6. Bracket | 1 pc. |
| 7. Support | 1 pc. |
| 8. Leg support | 1 pc. |