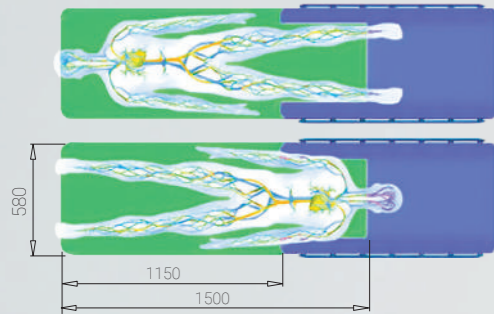


# MEDIN-SAFIS

## RADIOGRAPHIC OPERATING TABLES



- Electromechanically adjustable radiographic operating tables
- Two-speed longitudinal-lateral shift mode
- Programmable table top positions



X-ray transparent area (colored in green)

Anti-bedsore mattress made of visco elastic memory foam with antistatic coating

Remote control  
Additional remote control  
Joystick

X-ray transparent carbon fiber table top

Multipurpose rails made of stainless steel

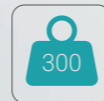
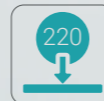
Pedal for table fixation on the floor

Double castors Ø 75 mm

Emergency stop button

Double castors Ø125 mm

Castor brake pedal



Used with the following KPP sets:

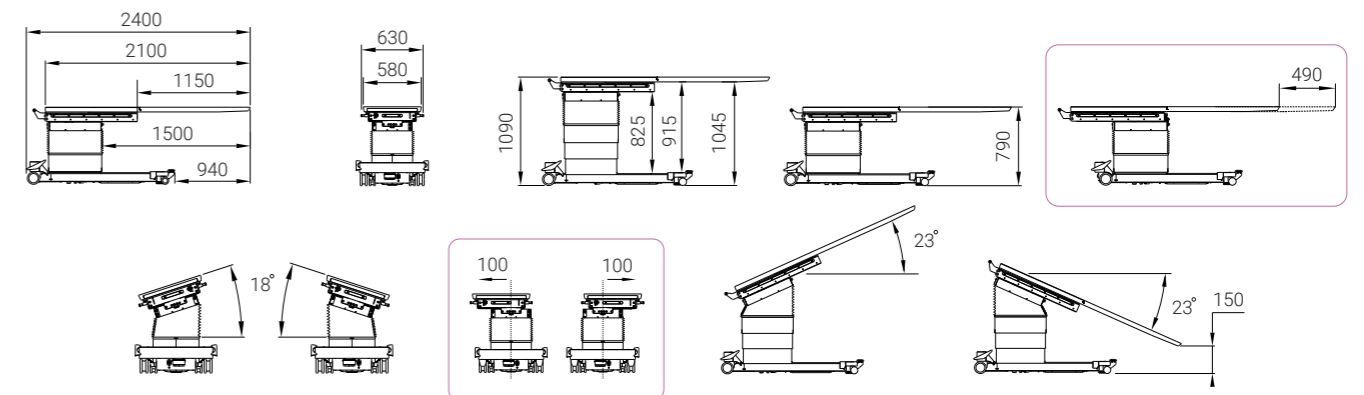


# MEDIN-SAFIS

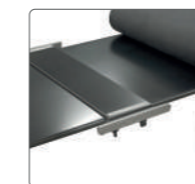
## RADIOGRAPHIC OPERATING TABLES



Functions	MEDIN-SAFIS	MEDIN-SAFIS 02
Table top height		
Table top lateral tilts		
Table top longitudinal tilts		
Table top longitudinal shift		NO
Table top lateral shift		NO
Table top zero position		
Dorsal section tilts	NO	NO
Switching the table to the fixed position		



### Accessories



Cross bar for accessories mounting



Cross bar with head rest



Table side bar extension



Arm protection



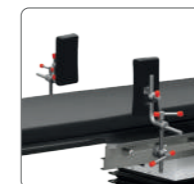
Instrument table



Injection plate



Patient restraint strap



Lateral support