

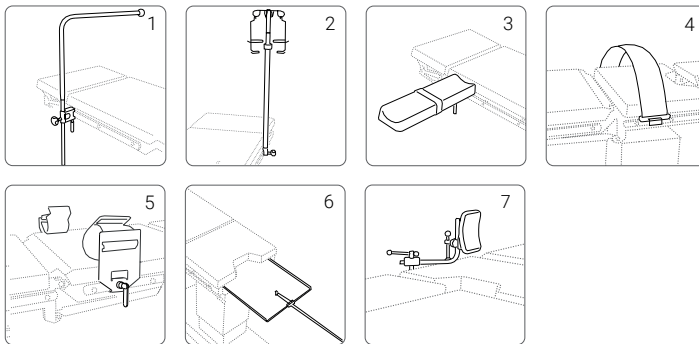
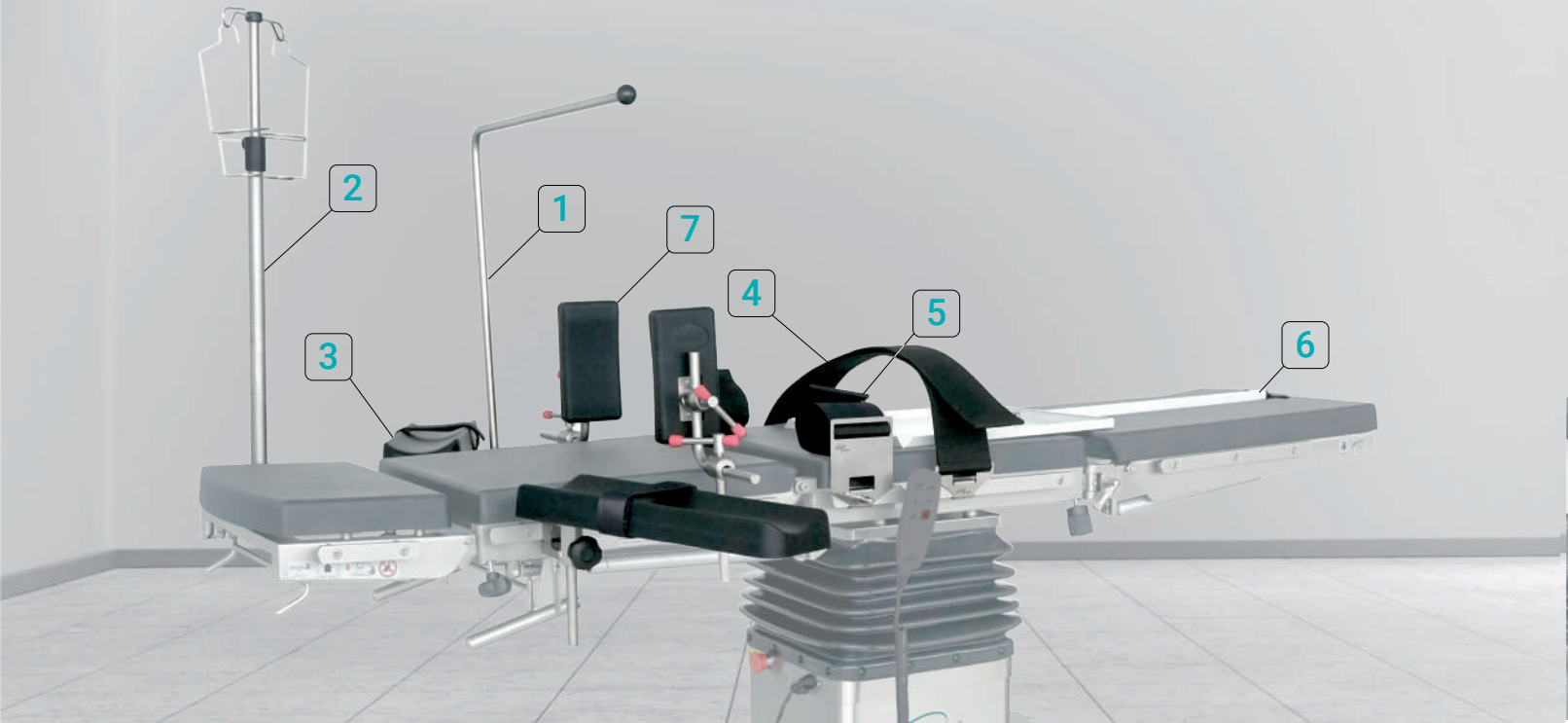


# KPP-01

SET OF ADDITIONAL ACCESSORIES FOR GENERAL SURGERY



LEARN MORE



KPP-01 set includes the following:

- |   |        |
|---|--------|
| 1. Anesthetic screen                    | 1 pc.  |
| 2. Medical stand for infusions (SHDV-5) | 1 pc.  |
| 3. Injection plate                      | 2 pcs. |
| 4. Patient restraint strap              | 1 pc.  |
| 5. Hand strap                           | 2 pcs. |
| 6. X-ray cassette holder                | 1 pc.  |
| 7. Lateral support                      | 2 pcs  |

