

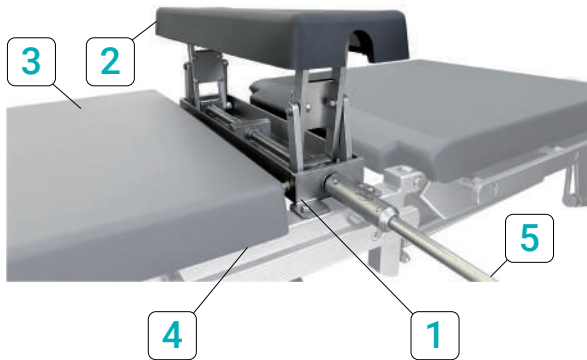


KPP-14

SET OF ADDITIONAL ACCESSORIES FOR SURGERIES REQUIRING BODY EXTREMITIES POSITIONING (ELEVATION AND STABILIZING OF LUMBAR, PELVIC OR CHEST ZONES)



LEARN MORE



KPP-14 set includes the following:

- | | |
|------------------------|-------|
| 1. Lifting assembly | 1 pc. |
| 2. Pad of lifting zone | 1 pc. |
| 3. Central section pad | 1 pc. |
| 4. Plate | 1 pc. |
| 5. Crank handle | 1 pc. |

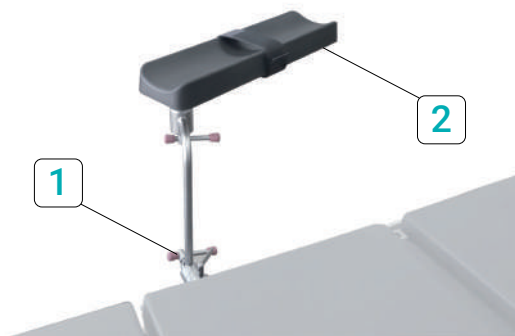


KPP-15

SET OF ADDITIONAL ACCESSORIES FOR SURGERIES REQUIRING BODY EXTREMITIES POSITIONING (UPPER POSITIONING OF ARM)



LEARN MORE



KPP-15 set includes the following:

- | | |
|---------------------------------|-------|
| 1. Radial serrated clamp | 1 pc. |
| 2. Arm rest with supporting bar | 1 pc. |