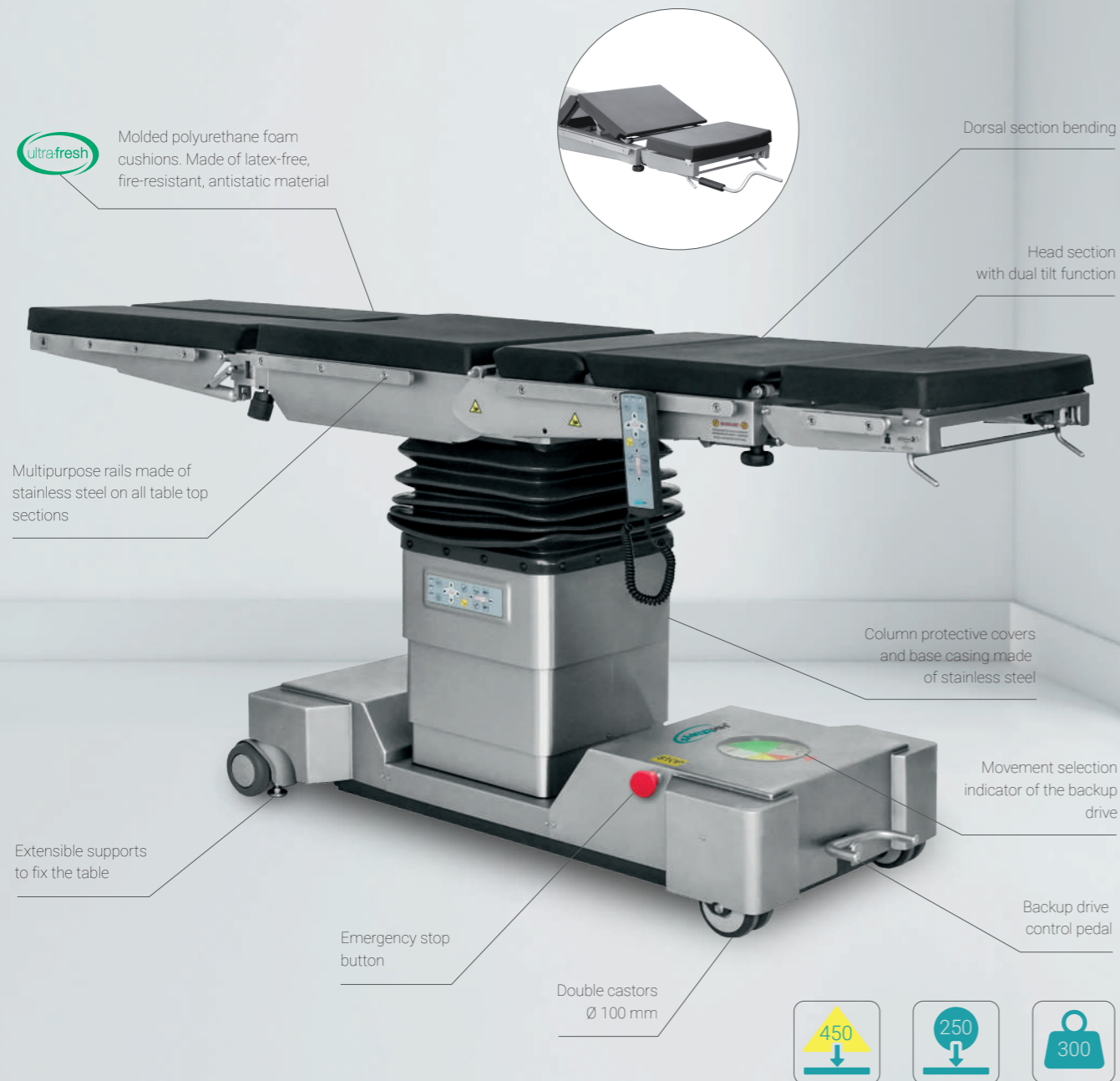


OK-BETA PLUS

UNIVERSAL OPERATING TABLE OUK-02-1



- Electrohydraulic table with backup mechano-hydraulic drive
- Programmable table top positions



Used with the following KPP sets:

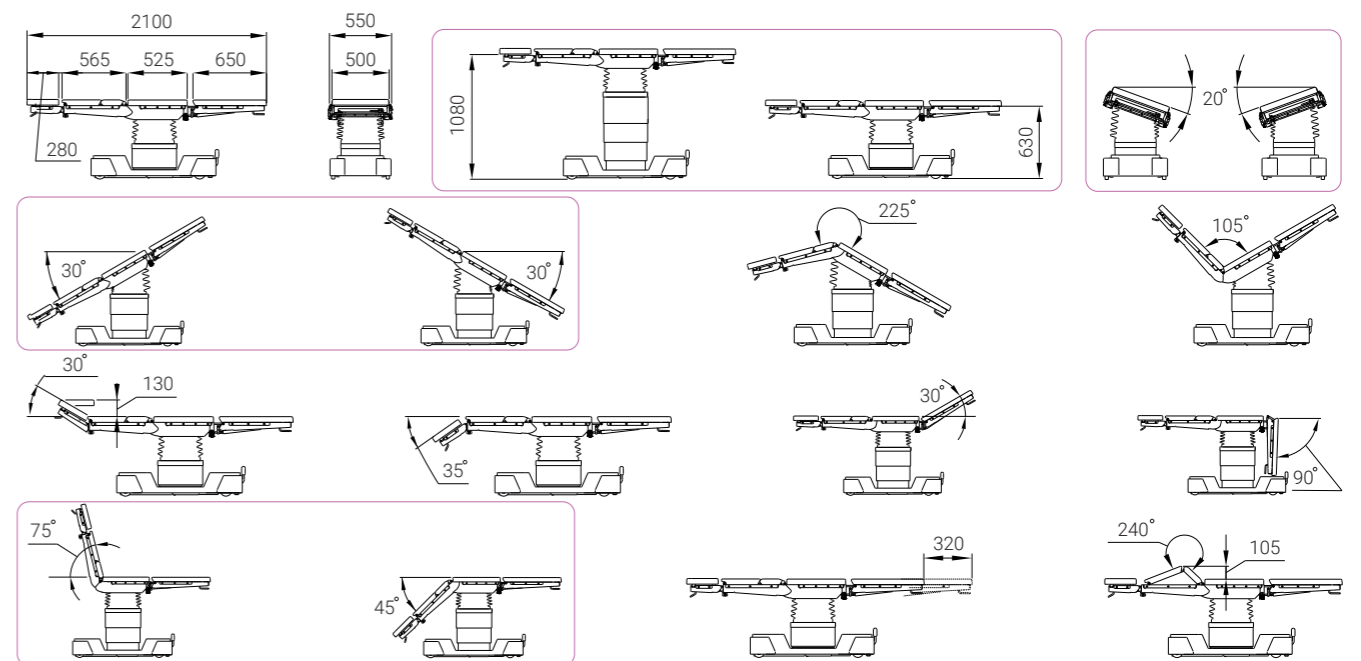
01 02 03 04 05 06 07 08 09 10 11 12 13 14 15 16 17 18 26 27 28 29 30 31 32 33 34 35 36 37 38 39 40 41 42 43

OK-BETA PLUS

UNIVERSAL OPERATING TABLE OUK-02-1



Functions	OK-BETA PLUS
Table top height	
Table top lateral tilts	
Table top longitudinal tilts	
Table top zero position	
Table top longitudinal shift	
Dorsal section tilts	
Head section tilts	
Leg section tilts	
Dorsal section bending	
Extensible support shift	



Accessories



Wireless remote control



Pedal control unit