

OK-TETA PLUS

GENERAL SURGERY TABLES



- New generation of high-functioning electromechanical tables for all types of surgical procedures
- Programmable table top positions



Quick-removable table sections without clamping screws

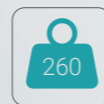
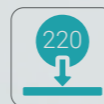
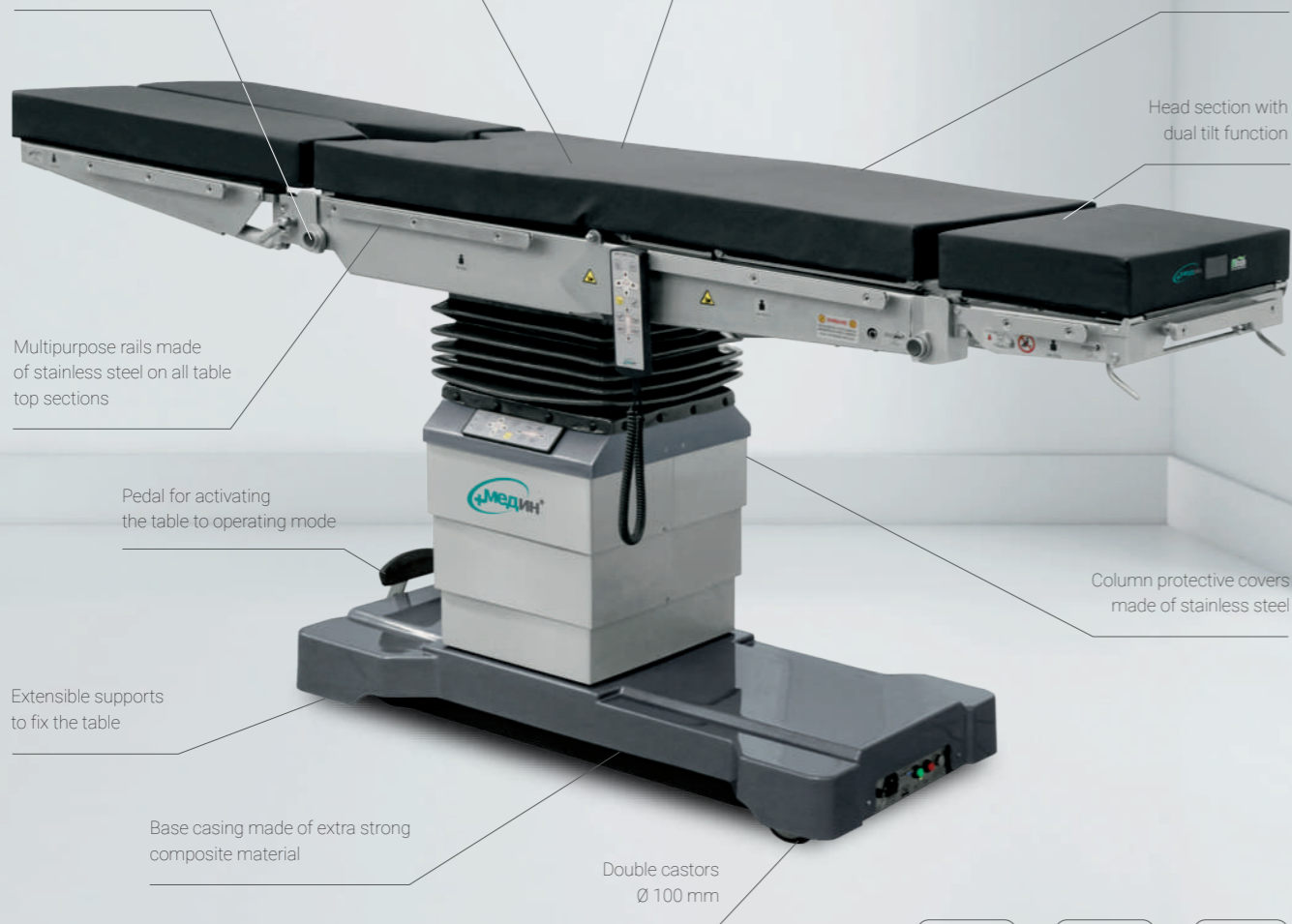


Kidney bridge (OK-TETA PLUS-01)

Visco elastic memory foam mattress



Dorsal section bending (OK-TETA PLUS)



Used with the following KPP sets:

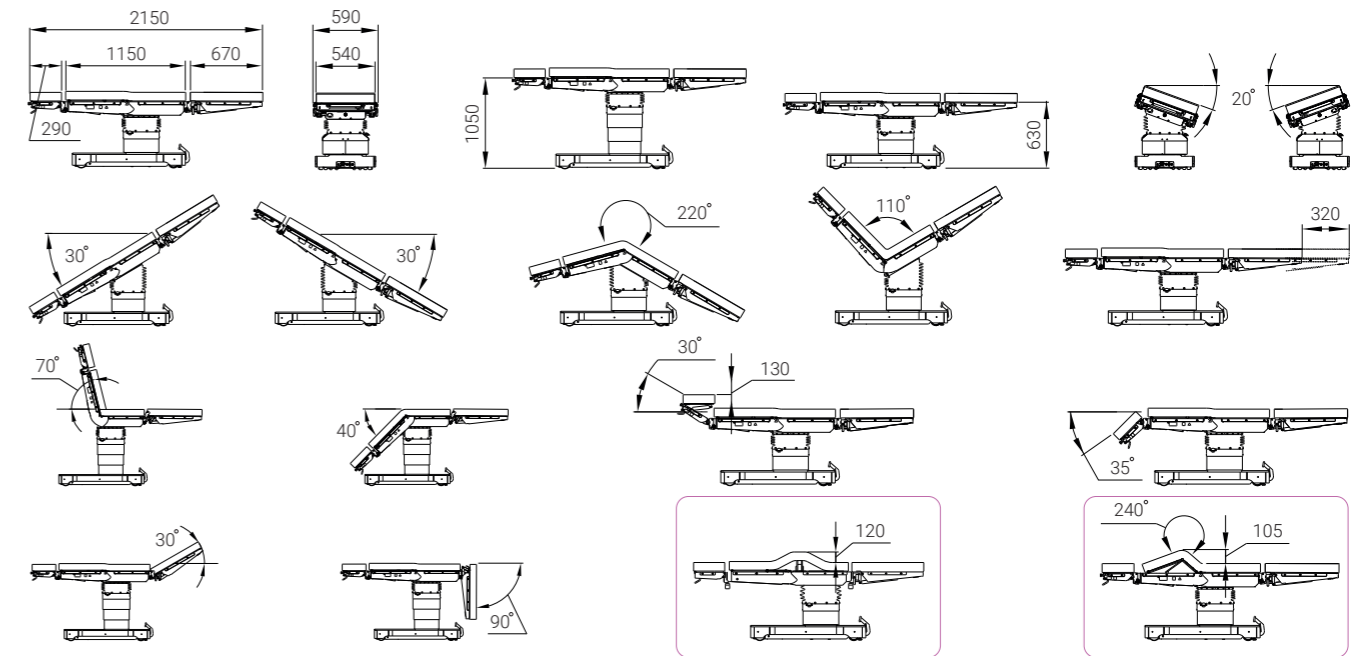
- 01 02 03 04 05 06 07 08 09 10 11 12 13 15 16 17 18 26 27 28 29 30 31 32 33 34 35 36 37 38 39 40 41 42 43

OK-TETA PLUS

GENERAL SURGERY TABLES



Functions	OK-TETA PLUS	OK-TETA PLUS-01
Table top height		
Table top lateral tilts		
Table top longitudinal tilts		
Table top zero position		
Table top longitudinal shift		
Dorsal section tilts		
Head section tilts		
Leg section tilts		
Kidney bridge lift	NO	
Dorsal section bending		NO
Extensible support shift		



Accessories



Wireless remote control



Pedal control panel