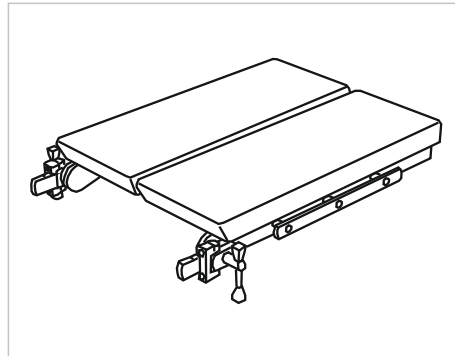


KPP-22 Set

For Divided Positioning of Legs with Turn and Tilt (218.000)

- Set KPP-22 is used as leg section of operating table top;
- Longitudinal bars are basic bearing elements, removable pads mounted on bars;
- Use of set allows 30° upper turn of surface (pad) of each section, 90° down tilt and 80° outside turn of each bar;
- Stainless steel metallic elements;
- Molded padding made of integral polyurethane with antistatic coating.

Set KPP-22 is used with all MEDIN operating tables.



KPP-22 set:

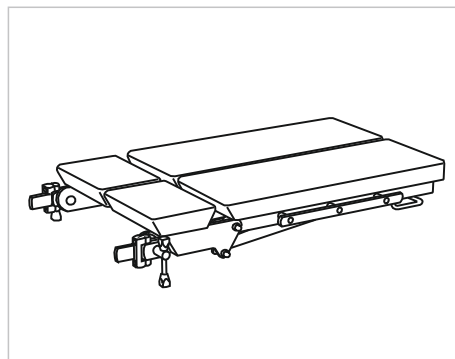
- Right bar with tooth-type hinge.....1 pc.
- Left bar with tooth-type hinge1 pc.
- Leg pads 2 pcs.

KPP-25 Set

For Divided Positioning of Legs with Turn and Double Tilt (including one driven) (221.000)

- Set is used as leg section of operating table top;
- Removable pads mounted on combined bars. Back-end section driven by pneumatic spring;
- 30° upper turn of surface (pad) of each section, 90° down tilt of back-end section and 80° outside turn of each bar;
- Stainless steel metallic elements;
- Molded padding made of integral polyurethane with antistatic coating.

Set KPP-25 is used with all MEDIN operating tables.



KPP-25 set:

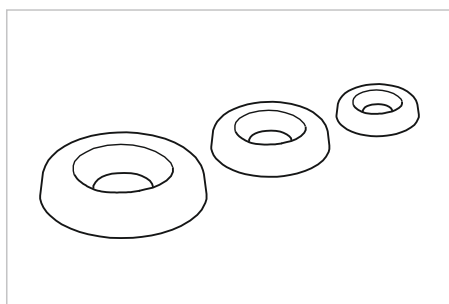
- Right double bar with driven tilt ...1 pc.
- Left double bar with driven tilt1 pc.
- Leg pads 2 pcs.
- Thigh pads 2 pcs.

KPP-26 Set

For Head On-cushion Positioning (222.000)

- Addition to operating table;
- Soft ring-shaped head cushioning, integral polyurethane made with antistatic coating.

Set KPP-26 is used with all MEDIN operating tables.



KPP-26 set:

- Ø 205 mm ring-shaped head cushion.....1 pc.
- Ø 140 mm ring-shaped head cushion 1 pc.
- Ø 90 mm ring-shaped head cushion1 pc.