



## OPERATING TABLE OK-GAMMA MOBILE



## OK-GAMMA MOBILE

### OPERATING TABLE

OK-GAMMA MOBILE is a comfortable and manoeuvrable mecano-hydraulic operating table.

Due to its mobility, it is ideally suited for use both in intensive care and preoperative rooms, as well as for simple surgeries and dressings in polyclinics, outpatient and small clinics. Best solution for special areas of surgery (gynecology, otolaryngology, plastic surgery, and others) while combined with sets of additional accessories). The special shape of the table base provides free access for medical personnel.

The use of additional options makes it possible to change the configuration of OK-GAMMA MOBILE table top, thereby expanding its functionality.

#### Features:

- All open metal surfaces and additional accessories are made of stainless steel
- Table base and column are protected by extra proof composite covers
- Mobile base with 150 mm castors with central brakes
- Using seamless technology, molded removable mattresses made from integral polyurethane foam with an antistatic effect, and an innovative antimicrobial treatment (Ultra Fresh)
- 5 sections table top (incl. split leg section)
- Dorsal section bending (for OK-GAMMA MOBILE 02) - 105 mm
- X-ray translucent table top
- C-arm compatible
- Input of the X-ray film cassette from head sections
- Head and split leg sections adjusted by gas springs
- Can be used with wide range of additional accessories

#### Adjustments:

- Lifting/lowering of the table top – foot-operated hydraulic jack
- Longitudinal tilts – gas springs
- Dorsal section tilt - gas springs
- Lateral tilts (OK-GAMMA MOBILE 01, 02) - mechanical
- Dorsal section adjustment - gas spring
- Dorsal section bending (OK-GAMMA MOBILE 01) - mechanical
- Table base lock - foot pedal
- Leg and head section tilts – gas springs

#### Modifications:

- **OK-GAMMA MOBILE 03** - basic configuration
- **OK-GAMMA MOBILE 02** - with lateral tilt
- **OK-GAMMA MOBILE 01** - with dorsal section bending and lateral tilt

Equipped with the set of accessories for general surgery (KPP-01).

Warranty 24 months.

## OK-GAMMA MOBILE

### OPERATING TABLE

- Safe workload on the table (including accessories), kg
  - no restrictions on table functions **160**
  - with restricted table functions\* **250**
- Table height (without mattresses):
  - in the lowest position, mm **770**
  - in the highest position, mm **1050**
- Table top length, mm, **2100**
- Table top width, mm **500**
- Table top width (including rails), mm **550**
- Rail section for mounting removable accessories, mm **25x10**
- Number of table sections, pcs, not less 4
- Table top lifting/lowering drives **Hydraulic**
- Table top rise per stroke, mm **8**
- Longitudinal tilt (Trendelenburg/reverse-Trendelenburg)  
**Gas springs**
- Lateral tilt & two-part back section elevation **Mechanical**
- Back section tilt **Gas springs**
- Longitudinal tilt:
  - Trendelenburg **30°**
  - reverse-Trendelenburg **30°**
- Lateral tilt (optional), not less:
  - right **20°**
  - left **20°**
- Head section tilt, not less:
  - up **30°**
  - down **35°**
- Back section tilt:
  - up **75°**
  - down **45°**
- Leg section tilt, not less:
  - up **30°**
  - down (table top in upper position) **90°**
- Head section position adjustment in longitudinal direction, mm **50**
- Two-part back section elevation (optional), mm **105**  
Leg and head sections **Detachable**
- Table weight with mattresses without accessories, kg **165**
- Castors size, mm **150**

## OK-GAMMA MOBILE OPERATING TABLE

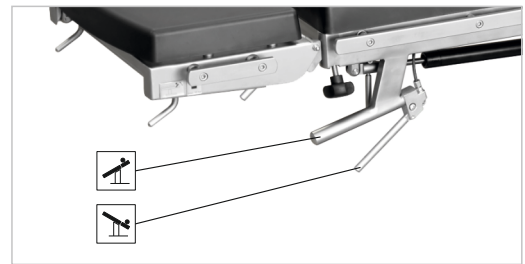
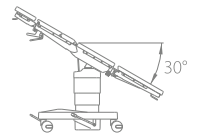
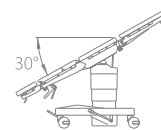
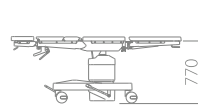
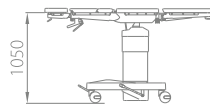
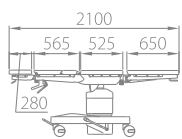


Table top tilt control

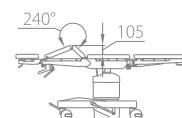
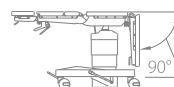
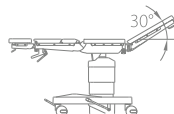
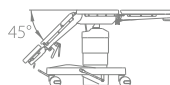
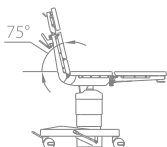
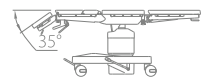
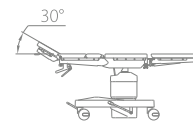
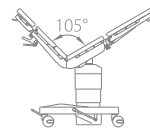
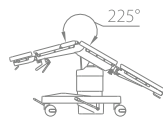
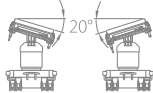


Dorsal section mechanical bending (optional)

- foot-operated hydraulic drive for height adjustment
- table top control by the handles from the head section side
- molded antistatic cushions with antibacterial coating
- extensible supports to fix the table
- support castor diameter – 150 mm
- safe working load – 160 kg
- set of additional accessories for general surgery (supplied as part of operating table)



(optional)



USED WITH THE FOLLOWING KPP SETS:

01				05		07	08		10
	12		14	15	16	17	18		
21	22			25	26	27		29	30
31	32	33	34	35	36	37	38	39	40
41	42	43							

## OK-GAMMA MOBILE OPERATING TABLE

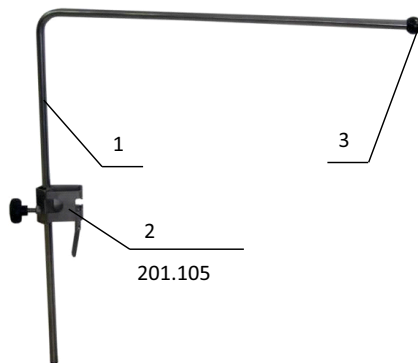
### ACCESSORY KIT FOR GENERAL SURGERY

The kit is designed to place and fix the human body organs, as well as to place items necessary for surgery, examinations, and procedures. The kit is used for general surgery and anesthesiology. The main structural material of the kit is stainless steel.

#### DESCRIPTION AND OPERATION OF COMPONENT PARTS

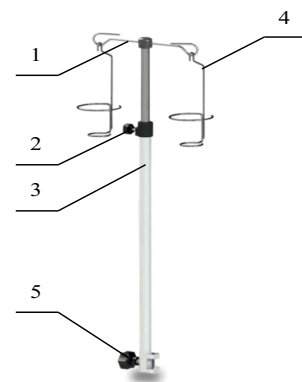
**1. Anesthesia screen** (a screen for anesthesia) (Figure 1). Made of stainless steel, adjustable in height. For fastening to the guide rails of the table, it is equipped with a radial clamp.

**2. Infusion pole** (infusion stand) (Figure 2). Made of stainless steel, adjustable in height, equipped with two hooks 1 and two standard bottle holders 4. Equipped with a built-in mounting clamp 5 for mounting on the guide rails of the table.



**Figure 1. Anesthesia screen.**

1 – Anesthesia screen, 2 – Clamp, 3 – Tube tip.



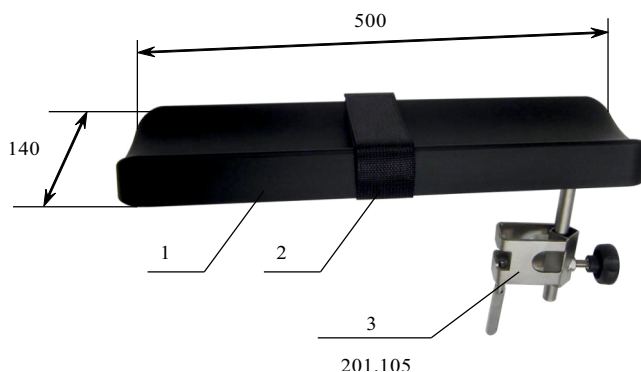
**Figure 2. Infusion pole.**

1 – Hooks, 2 – Lock, 3 – Pole, 4 – Bottle holder, 5 – Clamp.

The pole height is adjusted manually using lock 2 (Figure 2). Adjust the height of the pole, and then clamp the lock in the adjusted position.

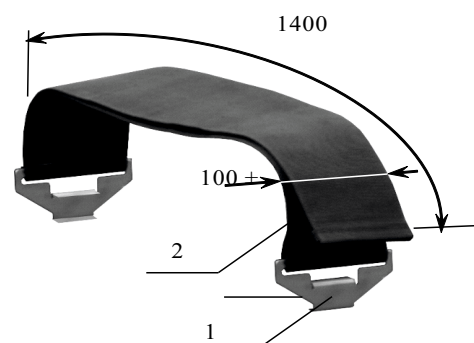
**3. Injection plate** (arm support) (Figure 3). Profiled bed 1 is made of molded urethane foam, and stainless mounting elements. It is height-adjustable and rotates around a vertical axis. Equipped with a clip and a restraint strap. The maximum permissible load is 15 kg.

**4. Patient restraint strap** (waist strap) (Figure 4). Soft synthetic strap 100 mm wide with fixing hooks, adjustable in length.



**Figure 3. Injection plate.**

1 – Bed, 2 – Restraint strap, 3 – Clip.



**Figure 4. Patient restraint strap.**

1 – Bracket, 2 – Strap.

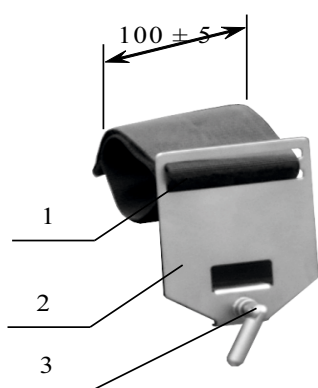
## OK-GAMMA MOBILE

### OPERATING TABLE

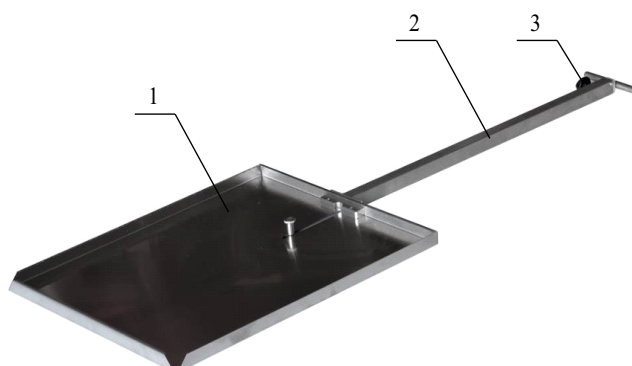
#### ACCESSORY KIT FOR GENERAL SURGERY

**5. Arm holder** (arm retainer) (Figure 5). 100 mm wide soft synthetic strap with a clamp and stainless steel fastening element to the table rail, adjustable position along the table panel.

**6. X-ray cassette holder** (Figure 6). Metal spatula with a lock and a long folding handle for insertion (installation) of the R-cassette under the X-ray-transparent table top in the longitudinal direction.



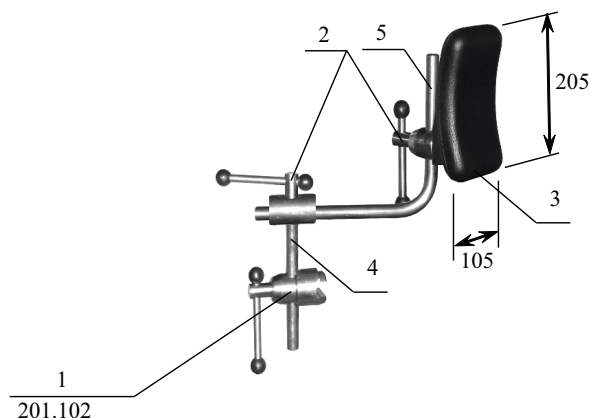
**Figure 5. Arm holder.**  
1 – Strap, 2 – Holder, 3 – Screw.



**Figure 6. X-ray cassette holder.**  
1 – Tray, 2 – Cassette holder tube, 3 – Lock.

When using the X-ray cassette holder, be careful when tilting the dorsal and leg sections. The holder can be damaged if it is in the areas where the dorsal section meets the hip section and the hip section meets the leg sections.

**7. Lateral support** (Figure 7). Profiled 105x205 (mm) molded urethane foam pad 3 with stainless Z-bar support and fasteners for mounting on the table guide rail. Complete with clamp. The position is adjusted along the table top, in height and depth, and rotates around two vertical axes of the Z-shaped support.



**Figure 7. Side support.**  
1 – Clamp, 2 – Lock, 3 – Lateral support, 4 – Support, 5 – Rod.