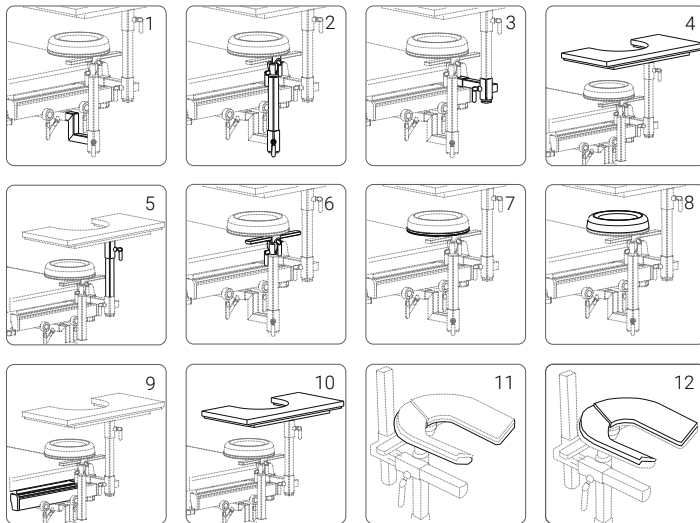
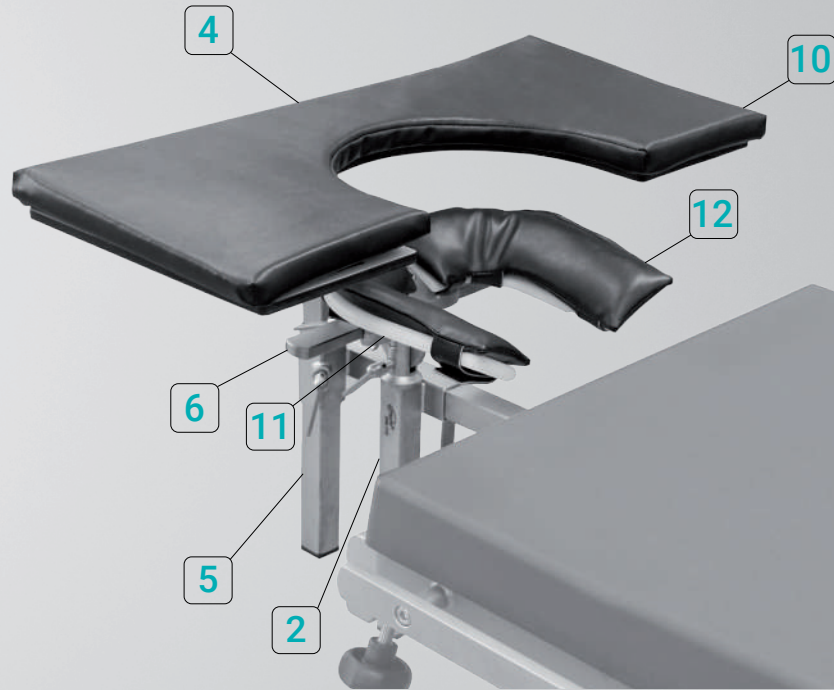




KPP-12

SET OF ADDITIONAL ACCESSORIES FOR ENT AND OPHTHALMOLOGY SURGERIES



KPP-12 set includes the following:

- | | |
|--|--------|
| 1. Support bracket | 1 pc. |
| 2. Supporting leg with a mounting bar for head rests | 1 pc. |
| 3. Cross rail | 1 pc. |
| 4. Surgeon wrist rest | 1 pc. |
| 5. Stand | 1 pc. |
| 6. Ring-shaped cushion base | 1 pc. |
| 7. Padding disk | 1 pc. |
| 8. Ring-shaped cushion | 1 pc. |
| 9. Table mounting adapter | 1 pc. |
| 10. Surgeon arm rest | 1 pc. |
| 11. Adjustable U-shaped head rest (left and right head rests) | 1 pair |
| 12. Set of cushions for head rest (left and right head cushions) | 1 pair |

