

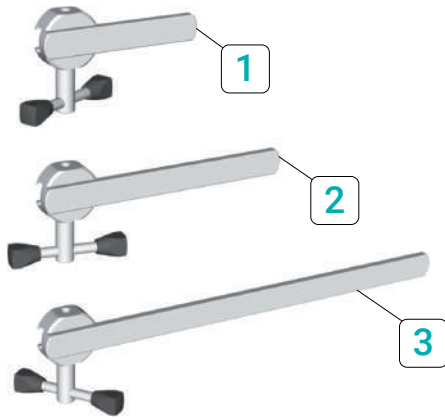


KPP-29

SET OF ADDITIONAL ACCESSORIES FOR SURGERIES REQUIRING OPERATING TABLE EXTENSION (FOR TABLE SIDE BAR ELONGATION)



LEARN MORE



KPP-29 set includes the following:

- | | |
|-------------------------|-------|
| 1. 160 mm extension bar | 1 pc. |
| 2. 260 mm extension bar | 1 pc. |
| 3. 460 mm extension bar | 1 pc. |

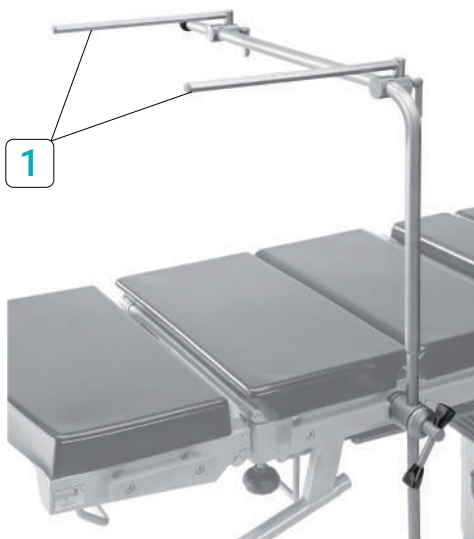


KPP-30

SET OF ADDITIONAL ACCESSORIES FOR SURGERIES REQUIRING OPERATING TABLE EXTENSION (FOR EXTENSION OF ANESTHETIC SCREEN)



LEARN MORE



KPP-30 set includes the following:

- | | |
|--|--------|
| 1. Extension pieces to anesthetic screen | 2 pcs. |
|--|--------|