

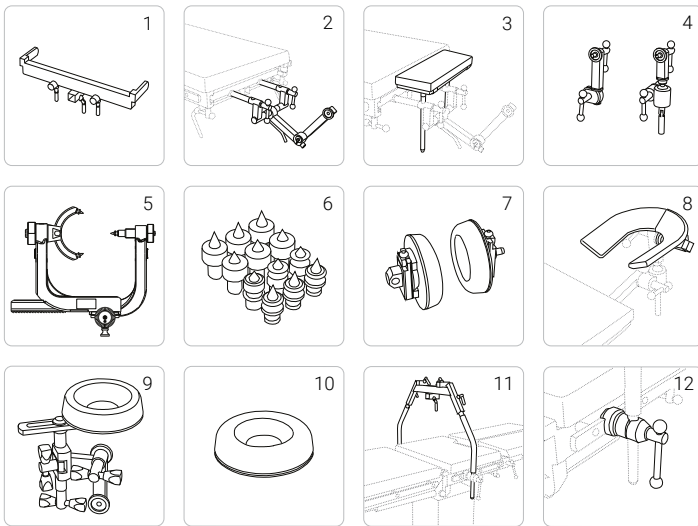
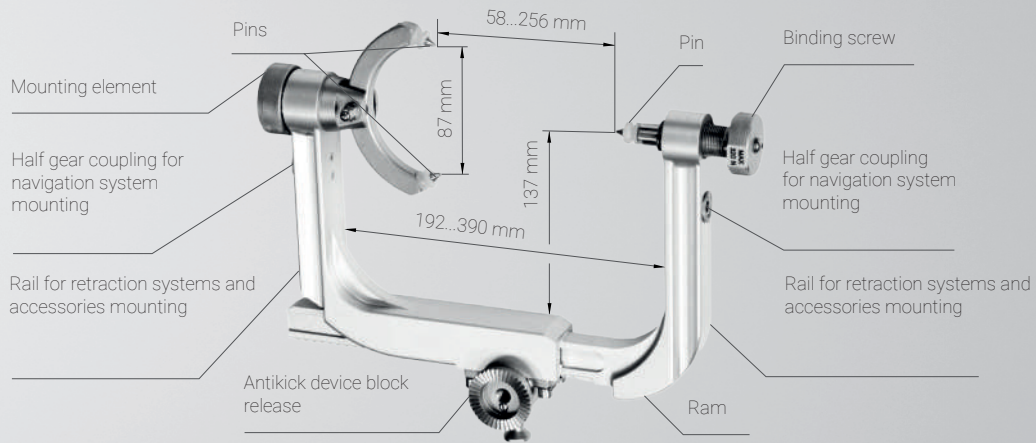


KPP-09

SET FOR NEUROSURGERY



LEARN MORE



KPP-09 set includes the following:

- | | |
|--|------------|
| 1. Table mounting adapter | 1 pc. |
| 2. Hinge-type holder | 1 pc. |
| 3. Dorsal support with cushion | 1 pc. |
| 4. Connecting element | 1 pc. |
| Ball-type connecting element | 1 pc. |
| 5. Cranial clamp | 1 pc. |
| 6. Pins to cranial clamp (4 types) | 3 pcs each |
| 7. 90 mm rest with support base | 2 pc. |
| 8. Adjustable head rest (left and right) | 1 pair |
| Set of head rest cushions | 1 pair |
| 9. Ring-shaped head cushion assembly, 140 mm | 1 pc. |
| 10. 90 mm ring-shaped cushion with head support base | 1 pc. |
| 11. Diametrical attachment | 1 pc. |
| 12. Radial serrated clamp | 2 pcs. |

