

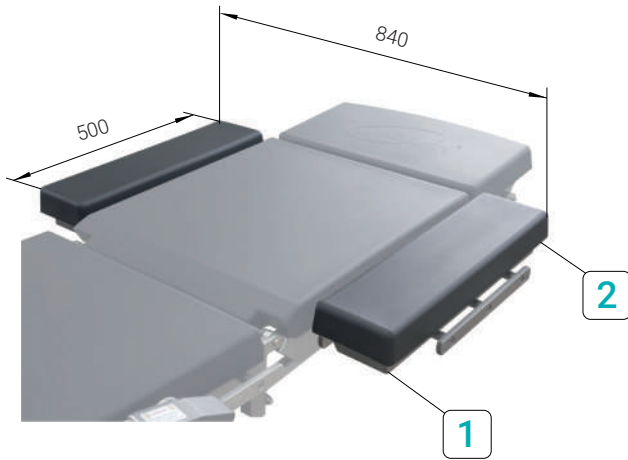


KPP-27

SET OF ADDITIONAL ACCESSORIES FOR SURGERIES REQUIRING OPERATING TABLE EXTENSION (FOR TABLE TOP WIDENING)



LEARN MORE



KPP-27 set includes the following:

- | | |
|------------|-------|
| 1. Support | 1 pc. |
| 2. Pad | 1 pc. |

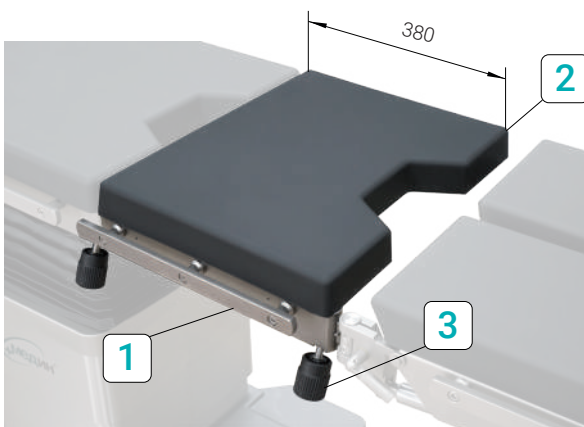


KPP-28

SET OF ADDITIONAL ACCESSORIES FOR SURGERIES REQUIRING OPERATING TABLE EXTENSION (FOR TABLE TOP EXTENDING)



LEARN MORE



KPP-28 set includes the following:

- | | |
|-------------------|--------|
| 1. Frame | 1 pc. |
| 2. Pad | 1 pc. |
| 3. Clamping screw | 2 pcs. |