

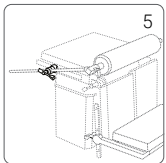
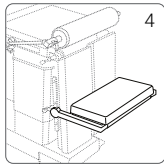
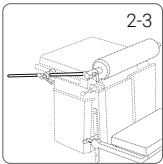
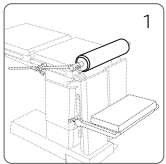
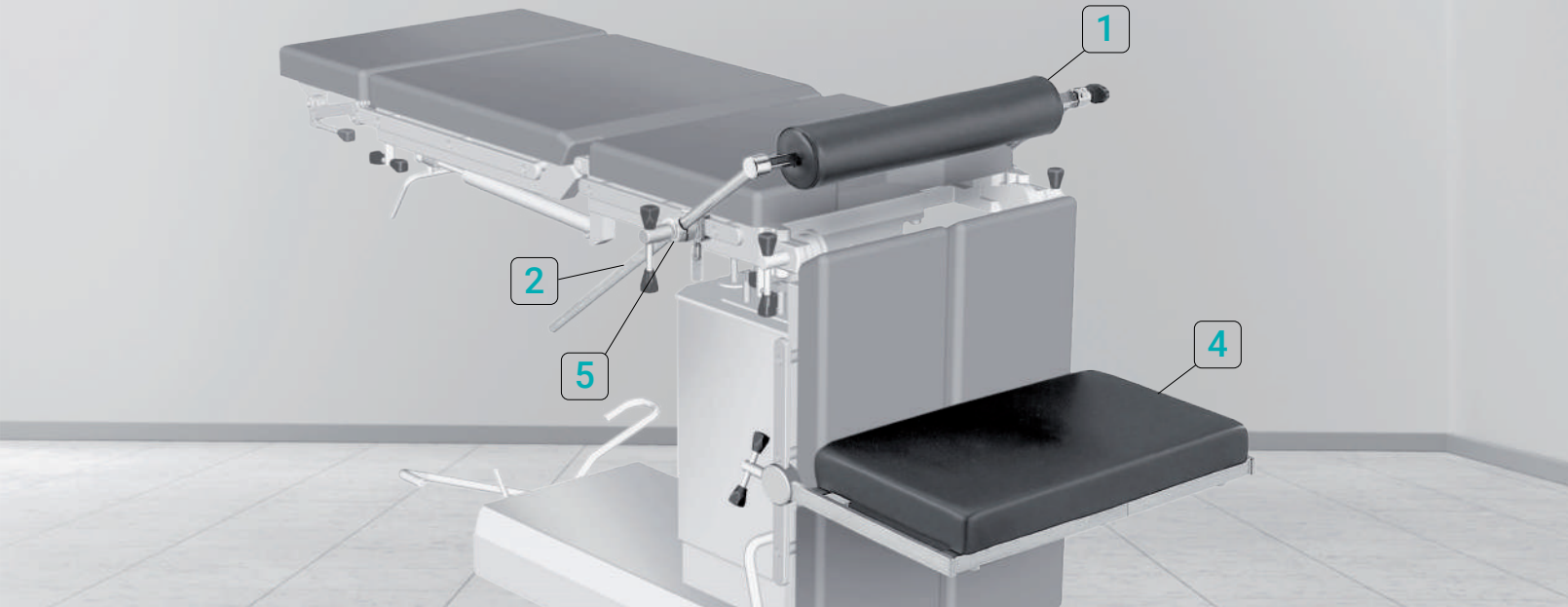


KPP-13

SET OF ADDITIONAL ACCESSORIES FOR PROCTOLOGIC SURGERIES



LEARN MORE



KPP-13 set includes the following:

- | | |
|--|--------|
| 1. Roller | 1 pc. |
| 2. Stand 1 | 1 pc. |
| 3. Stand 2 | 1 pc. |
| 4. Knee section (with in-built clamps) | 1 set |
| 5. Radial serrated clamp | 2 pcs. |

