



OPERATING TABLE OU-01K



OU-01K

OPERATING TABLE

OU-01K is a mechano-hydraulic operating table.

This model is intended for regional, district and city hospitals, both for general and specialized surgeries while combined with sets of additional accessories produced by the manufacturer.

Table top adjustments drives are located in the same place on the side of the head section which allows selecting and changing the table top position by using the pedal and the footswitch. Built-in castors make it possible to move the table freely inside the operating room.

The use of additional options makes it possible to change the configuration of OU-01K table top, thereby expands its functionality.

Equipped with the set of accessories for general surgery (KPP-01).

Features:

- All open metal surfaces and additional accessories are made of stainless steel;
- Table base is protected by extra proof composite covers, table column covers – stainless steel;
- Using seamless technology, molded removable mattresses made from integral polyurethane foam with an antistatic effect, and an innovative antimicrobial treatment (Ultra Fresh);
- X-ray translucent table top;
- C-arm compatible;
- Longitudinal shift up to 320 mm (optional);
- C-Arm compatible;
- Longitudinal shift (optional) 320 mm;
- Input of the X-ray film cassette from head sections;
- Head and split leg sections adjusted by gas springs;
- Can be used with wide range of additional accessories.

Adjustments:

- Lifting/lowering of the table top – foot-operated hydraulic jack;
- Longitudinal tilts – foot-operated hydraulic jack;
- Lateral tilts – foot-operated hydraulic jack;
- Dorsal section adjustment – mechanical by gas springs;
- Longitudinal shift (optional) - mechanical;
- Dorsal section bending (optional) – mechanical;
- Table base lock – foot pedal;
- Kidney bridge lifting (optional) - mechanical;
- Leg and head section tilts – mechanical by gas spring.

Additional options:

- Dorsal section bending;
- Longitudinal shift;

OU-01K

OPERATING TABLE

- Safe workload on the table (including additional accessories):
 - without limited table functions **200 kg**
 - with limited table functions* **300 kg**
- Height of the table (without mattresses):
 - Max lowest position **720±10 mm**
 - Max highest position **1020±10 mm**
- Table top length (with a pulled out head section) **2100±20 mm**
- Table top width (without side rails) **500±10 mm**
- Table top width (with side rails) **550±10 mm**
- Side rails **25x10 mm**
- Table top sections **5**
- Lift/lower table top **Foot-operated hydraulic**
- Lateral tilt **Foot-operated hydraulic**
- Back section tilt **Gas springs**
- Longitudinal shift of the table top (optional) **Manual**
- Longitudinal tilt:
 - Trendelenburg **30°**
 - reverse-Trendelenburg **30°**
- Lateral tilt:
 - Right **20°±1°**
 - Left **20°±1°**
- Head section tilt :
 - Up **30°**
 - Down **35°**
- Back section tilt :
 - Up **75°±3°**
 - Down **45°±3°**
- Leg section tilt
 - Up **30°**
 - Down (table top in upper position) **90°**
- Head section position adjustment in longitudinal direction **50 mm**
- Head and leg sections Detachable
- Longitudinal shift of the table top (optional) **320 mm**
- Kidney bridge elevation (optional) **140 mm**
- Two-part back section elevation (optional) **105 mm**
- Table weight with cushions (without accessories) **210 kg**

* Without use of:

- longitudinal movement of the table top;
- longitudinal and lateral tilts of the table top;
- tilts of removable table sections.

The table **DOES NOT CONTAIN** any precious metals and their alloys

*Without using:

- longitudinal and lateral tilts of the table top;
- tilts of the removable table top sections.

* With a max longitudinal shift of the table top towards the legs.

* Taking into account the patient's weight and accessories.

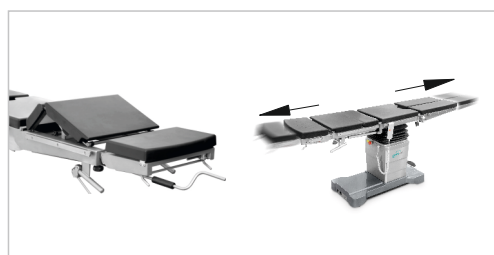
MECHANO-HYDRAULIC TABLES



OU-01K OPERATING TABLE

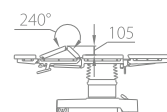
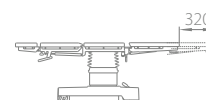
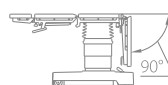
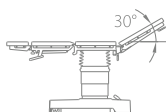
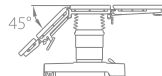
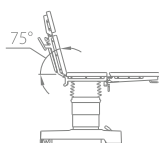
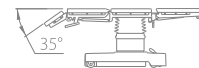
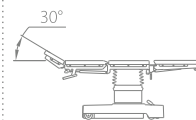
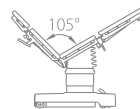
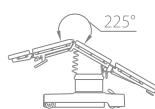
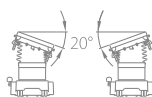
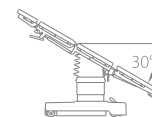
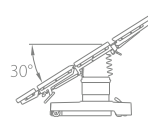
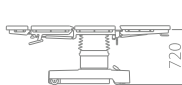
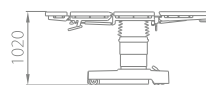
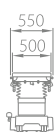
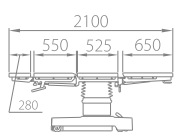


Table top tilt control



Dorsal section bending and table top longitudinal slide (optional)

- foot-operated hydraulic drive for height adjustment
- table top control by the pedals from the head section side
- molded antistatic cushions with antibacterial coating
- extensible supports to fix the table
- support castor diameter – 100 mm
- safe working load – 200 kg
- set of additional accessories for general surgery (supplied as part of operating table)



USED WITH THE FOLLOWING KPP SETS:

| | | | | | | | | | |
|----|----|----|----|----|----|----|----|----|----|
| 01 | 02 | 03 | 04 | 05 | 06 | 07 | 08 | 09 | 10 |
| 11 | 12 | 13 | 14 | 15 | 16 | 17 | 18 | | |
| 21 | 22 | | | 25 | 26 | 27 | 28 | 29 | 30 |
| 31 | 32 | 33 | 34 | 35 | 36 | 37 | 38 | 39 | 40 |
| 41 | 42 | 43 | | | | | | | |

OU-01K OPERATING TABLE

ACCESSORY KIT FOR GENERAL SURGERY

The kit is designed to place and fix the human body organs, as well as to place items necessary for surgery, examinations, and procedures. The kit is used for general surgery and anesthesiology. The main structural material of the kit is stainless steel.

DESCRIPTION AND OPERATION OF COMPONENT PARTS

1. **Anesthesia screen** (a screen for anesthesia) (Figure 1). Made of stainless steel, adjustable in height. For fastening to the guide rails of the table, it is equipped with a radial clamp
2. **Infusion pole** (infusion stand) (Figure 2). Made of stainless steel, adjustable in height, equipped with two hooks 1 and two standard bottle holders 4. Equipped with a built-in mounting clamp 5 for mounting on the guide rails of the table

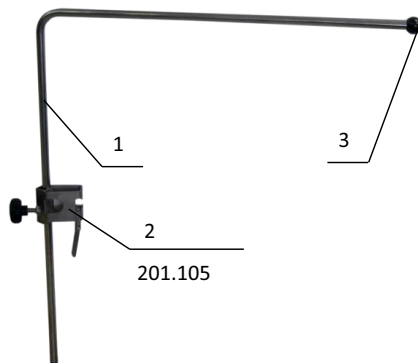


Figure 1. Anesthesia screen.

1 – Anesthesia screen, 2 – Clamp, 3 – Tube tip.

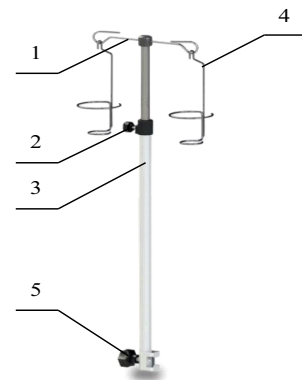


Figure 2. Infusion pole.

1–Hooks, 2–Lock, 3–Pole, 4–Bottle holder, 5–Clamp.

The pole height is adjusted manually using lock 2 (Figure 2). Adjust the height of the pole, and then clamp the lock in the adjusted position.

3. **Injection plate** (arm support) (Figure 3). Profiled bed 1 is made of molded urethane foam, and stainless mounting elements. It is height-adjustable and rotates around a vertical axis. Equipped with a clip and a restraint strap. The maximum permissible load is 15 kg.

4. **Patient restraint strap** (waist strap) (Figure 4). Soft synthetic strap 100 mm wide with fixing hooks, adjustable in length.

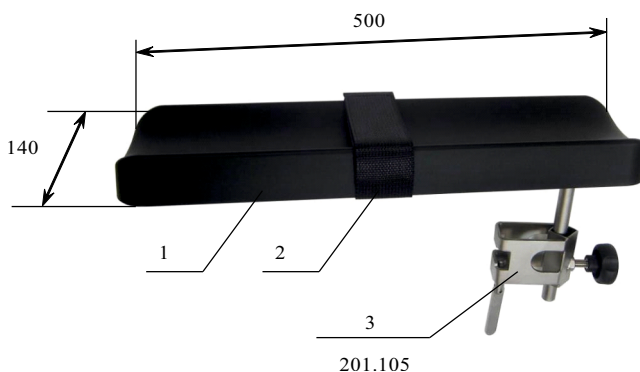


Figure 3. Injection plate.

1 – Bed, 2 – Restraint strap, 3 – Clip.

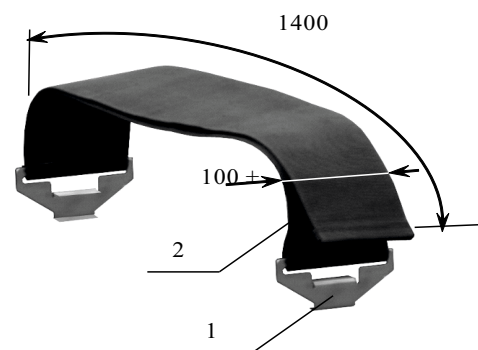


Figure 4. Patient restraint strap.

1 – Bracket, 2 – Strap.

OU-01K OPERATING TABLE

ACCESSORY KIT FOR GENERAL SURGERY

5. **Arm holder** (arm retainer) (Figure 5). 100 mm wide soft synthetic strap with a clamp and stainless steel fastening element to the table rail, adjustable position along the table panel.

6. **X-ray cassette holder** (Figure 6). Metal spatula with a lock and a long folding handle for insertion (installation) of the R-cassette under the X-ray-transparent table top in the longitudinal direction.

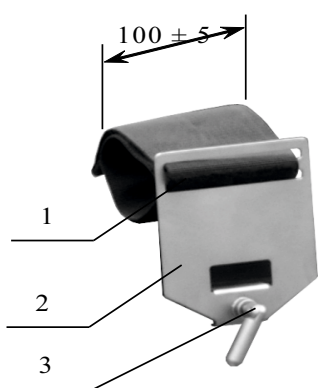


Figure 5. Arm holder.
1 – Strap, 2 – Holder, 3 – Screw.

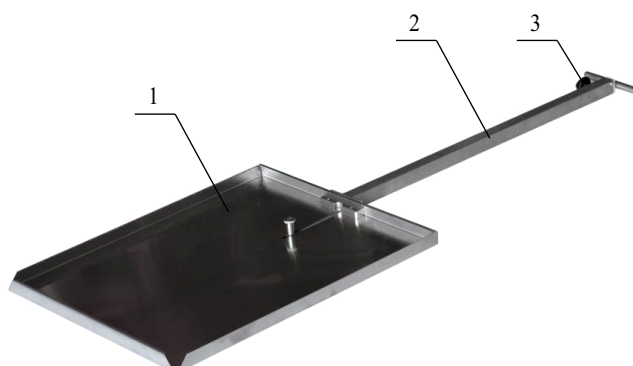


Figure 6. X-ray cassette holder.
1 – Tray, 2 – Cassette holder tube, 3 – Lock.

When using the X-ray cassette holder, be careful when tilting the dorsal and leg sections. The holder can be damaged if it is in the areas where the dorsal section meets the hip section and the hip section meets the leg sections.

7. **Lateral support** (Figure 7). Profiled 105x205 (mm) molded urethane foam pad 3 with stainless Z-bar support and fasteners for mounting on the table guide rail. Complete with clamp 201.102. The position is adjusted along the table top, in height and depth, and rotates around two vertical axes of the Z-shaped support.

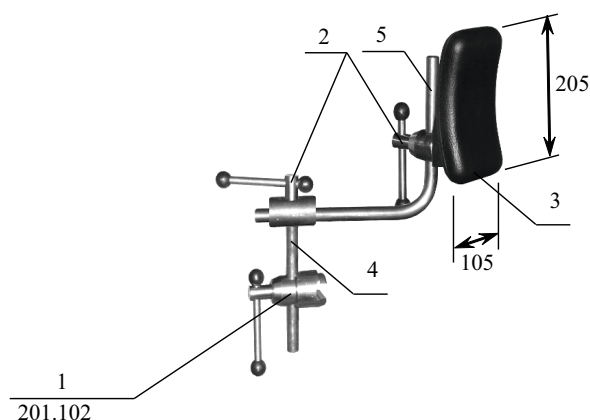


Figure 7. Side support.
1 – Clamp, 2 – Lock, 3 – Lateral support, 4 – Support, 5 – Rod.